



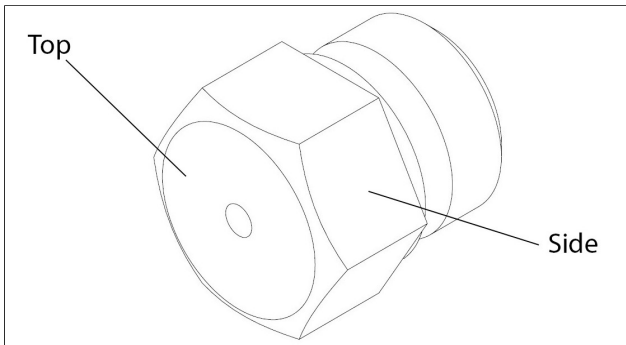
Dual Fuel Range and Sealed Burner Rangetop Conversion to LP Installation

www.wolfappliance.com (800) 222-7820

CONTENTS

1	Orifice, 20k main, '132'
2	Orifice, 18k main, '125'
3	Orifice, 15k main, '117'
5	Orifice, 15k simmer, '47'
10	Orifice, 15k bypass main and simmer, '43'
1	Orifice, 9.2k main, '93'
1	Orifice, 9.2k simmer, '41'
1	Orifice, 9.2k bypass main, '34'
1	Orifice, 9.2k bypass simmer, '33' or '81'
2	Orifice, griddle/charbroiler, '115'
1	Orifice, wok, '173'
1	Orifice, wok bypass main, '54'
1	Label, conversion

IMPORTANT NOTE: Refer to the number stamped on the top or side of each orifice. Do not refer to the number on the orifice packaging.



This kit is for all dual fuel ranges and sealed burner rangetops with serial numbers 18180000 and higher, and is intended to convert from natural gas to LP.

Depending on the model, additional components may be included with this kit, but not used.

⚠ WARNING

This conversion kit shall be installed by a qualified service agency in accordance with the manufacturer's instructions and all applicable codes and requirements of the authority having jurisdiction. If the information in these instructions is not followed exactly, a fire, explosion or production of carbon monoxide may result causing property damage, personal injury or loss of life. The qualified service agency is responsible for the proper installation of this kit. The installation is not proper and complete until the operation of the converted appliance is checked as specified in the manufacturer's instructions supplied with the kit.

⚠ WARNING

Turn off the power and gas to the product before starting this procedure.





Dual Fuel Range and Sealed Burner Rangetop Conversion to LP Installation

www.wolfappliance.com (800) 222-7820

SURFACE BURNER RATING

The rear left burner is 9,200 Btu. Any additional burners are 15,000 Btu.

SURFACE BURNERS

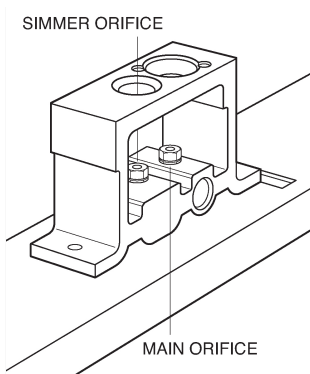
- 1 Remove the burner cap, then remove two screws from each surface burner.
- 2 Gently lift each burner, then disconnect the ignitor wire. Set burner assemblies aside.

- 3 For each 20,000 Btu (5.9 kW) burner, extract the existing main orifice and replace with a new '132' then extract the simmer orifice and replace with a new '47'.

For the 18,000 Btu (5.3 kW) burner, extract the existing main orifice and replace with a new '125' then extract the simmer orifice and replace with a new '47'.

For each 15,000 Btu (4.4 kW) burner, extract the existing main orifice and replace with a new '117' then extract the simmer orifice and replace with a new '47'.

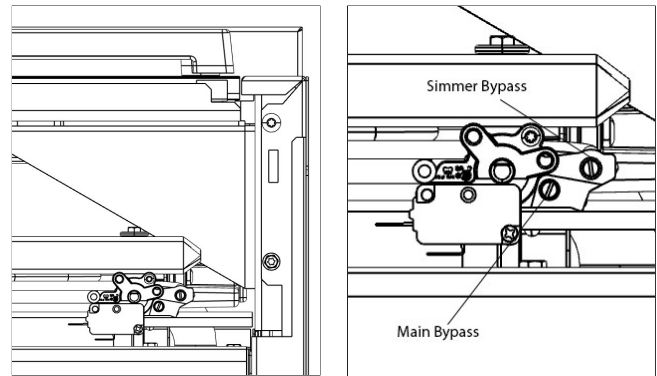
For the 9,200 Btu (2.7 kW) burner, extract the existing main orifice and replace with a new '93' then extract the simmer orifice and replace with a new '41'.



SURFACE BURNER VALVES

- 1 Remove the skirt.
- 2 Remove the door(s).
- 3 Remove the collar(s).
- 4 Remove the burner knobs and bezels.
- 5 Remove the bullnose.
- 6 Remove two 6-lobe screws from each bezel receptacle, then remove the receptacle from the valves.
- 7 Extract all 20,000 Btu (5.9 kW), 18,000 Btu (5.3 kW) and 15,000 Btu (4.4 kW) main and simmer bypass orifices and replace with new '43' orifices. Extract all 9,200 Btu (2.7 kW) main and simmer bypass orifices and replace with new '34' main and '33' or '81' simmer orifices. Refer to the illustration below. Bullnose may need to be removed to access orifices.

For a Wok burner, extract the existing main bypass orifice and replace with a new '54'.





Dual Fuel Range and Sealed Burner Rangetop Conversion to LP Installation

www.wolfappliance.com (800) 222-7820

FRENCH TOP

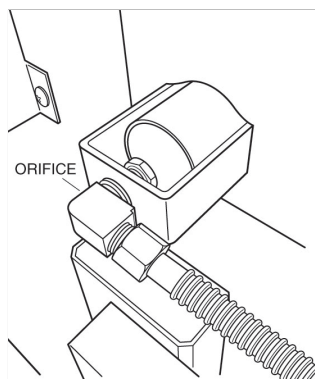
- 1 Remove the center plate, burner head bracket and burner cap, then remove two screws from the burner.
- 2 Gently lift the burner, then disconnect the ignitor wire. Set burner assembly aside.
- 3 Remove the existing main orifice and replace with a new '117'.

WOK

- 1 Remove the grate, surround, and cover plate.
- 2 Remove two screws from the back of the wok frame, then remove the frame.
- 3 Remove the two heat deflector screws.
- 4 Remove the burner assembly.
- 5 Remove four screws from the wok base and drip tray.
- 6 Remove the drip tray assembly with the elbow and orifice attached.
- 7 Extract the existing main orifice and replace with a new '173'.

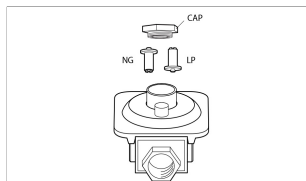
GRIDDLE AND CHARBROILER

- 1 For a griddle, remove the existing orifice and replace with a new '115' orifice.
- 2 For a charbroiler, remove the existing orifice and replace with a new '56' orifice.

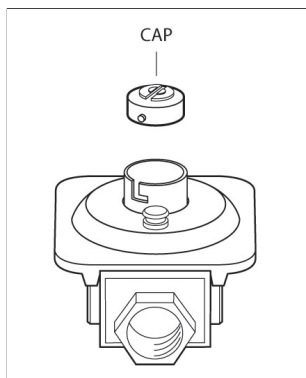


REGULATOR CONVERSION

- 1 **For 30" and 36" dual fuel ranges:** To convert the regulator remove the cap, flip the insert over and reinstall.



- 2 **For all other models:** To convert the regulator, use a flat blade screwdriver (or other tool) to rotate the regulator cap, then remove. Flip the cap over and reinstall. 'LP' will appear on the cap when properly converted.





Dual Fuel Range and Sealed Burner Rangetop Conversion to LP Installation

www.wolfappliance.com (800) 222-7820

GAS LEAK TESTING

⚠ WARNING

Never test for a gas leak with a flame.

- 1 Brush a liquid detergent solution onto all gas connections, then open the gas valve.
- 2 If bubbles appear, close the valve and adjust connections.
- 3 Check for leaks again.
- 4 Clean off the detergent solution.

COMPLETION

Once the conversion is complete, fill out the applicable information on the conversion label, then place it next to the existing rating plate. Install all previously removed components and verify operation.