



Cleaning Reference



Recommended Cleaning Products

TYPE	PRODUCT
Spray degreaser	Formula 409® products, Citrus cleaners
Mild detergent	Ivory® cleaners, Joy® cleaners, Dawn® cleaners, Palmolive® cleaners, Method® cleaners, Neu™ cleaners
Stainless steel cleaner/polish	Signature polish, Magic® stainless steel cleaner, 3M™ stainless steel cleaner/polish, white vinegar and water, Scotch-Brite™ Cook Top Cleaner, Method® stainless steel products*
Mild abrasive	Soft Scrub®, Bon-Ami®*, Bar Keeper's Friend®, Easy-Off® Fume Free Oven Cleaner, Dawn® Power Dissolver, Krud Kutter®*
Ceran cooktop cleaner	Elco/Weiman® Cooktop Cleaning Crème cleaner

*Green cleaning alternative.

Stainless Steel and Platinum

Use a lint-free or microfiber cloth and a stainless steel cleaner to remove any food stains. Then apply a polish to maintain luster and protect the surface from future stains. Always apply the cleaner and polish in the same direction as the grain.

Gas Cooktop, Riser, and Backsplash

To remove burn marks or heat stains from stainless steel, apply Penny Brite® cleaning paste to a sponge and lightly rub with the grain until the burn marks are gone. Wipe any remaining residue with a clean, damp cloth or sponge. Apply a polish to maintain luster and protect the surface from future stains.

Oven Interior

BLUE INTERIOR

Before using the self-clean feature, use a razor blade to gently lift baked on foods from the oven cavity and window. For stubborn stains, spray with a mild abrasive cleaner or spray degreaser and scrub with a no-scratch pink or blue Scotch-Brite™ pad.

If a stain persists, use Easy-Off® Fume Free Oven Cleaner or a S.O.S.® Steel Wool Soap Pad. The S.O.S.® pad should be used lightly at first and with more force if the stain remains. Wash the entire oven cavity with soap and water to remove all cleaning chemicals before beginning the self-clean cycle. If the residue is not cleaned from the cavity, etching of the porcelain may occur. Once the self-clean cycle is complete, allow the oven to cool completely and wipe out ash with a damp cloth.

IMPORTANT NOTE: Do not allow food with a high sugar or acid content (e.g. milk, tomatoes, fruit juices) to remain on any porcelain enamel surface. Failure to remove these foods may cause a permanent dull spot.

IMPORTANT NOTE: Never wipe a warm or hot porcelain surface with a damp cloth or sponge as this may cause chipping or crazing (hairline cracks).

BLACK INTERIOR

Use a razor blade to gently lift baked on foods from the oven cavity and window. For stubborn stains, spray with a mild abrasive cleaner or spray degreaser and scrub with a pink or blue no-scratch Scotch-Brite™ pad.

If a stain persists, use Easy-Off® Fume Free Oven Cleaner or a S.O.S.® Steel Wool Soap Pad. The S.O.S.® pad should be used lightly at first and with more force if the stain remains. Wash the entire oven cavity with soap and water to remove all cleaning chemicals.

IMPORTANT NOTE: Do not allow food with a high sugar or acid content (e.g. milk, tomatoes, fruit juices) to remain on any porcelain enamel surface. Failure to remove these foods may cause a permanent dull spot.

IMPORTANT NOTE: Never wipe a warm or hot porcelain surface with a damp cloth or sponge as this may cause chipping or crazing (hairline cracks).



Cleaning Reference



Oven Door Glass

To clean the exterior, use warm soapy water and a soft cloth to remove food stains, then use a lint-free cloth and glass cleaner to eliminate streaks.

To clean the interior, use the self-clean feature and allow the oven to cool completely. Use a razor blade scraper to remove baked on food. If the stains persist, use a spray degreaser and scrub with a no-scratch pink or blue Scotch-Brite™ pad.

Glass Tops (Electric and Induction)

Using a nonabrasive Ceran cooktop cleaner, apply one teaspoon of cleaner to the surface and wipe with a clean, lightly dampened cloth or blue Scotch-Brite™ pad. Rinse the cloth or pad with water and clean the surface again to remove any remaining moisture. For heavy or burnt-on spills, allow the cooktop to cool and use a razor blade scraper to remove debris.

For framed models, clean the frame using a nonabrasive cleaner. Gently wipe with a cloth or pad. Remove all cleaner residue from the frame before using the cooktop.

IMPORTANT NOTE: Failure to remove spills with a high sugar content from the hot zone may cause the glass to pit. Use a razor blade scraper to move the spill to a cool area for cleaning after the cooktop cools.

IMPORTANT NOTE: Never wipe a warm or hot surface with a damp cloth or sponge as this may cause damage to the surface.

Control Panel

Use a spray degreaser to remove fingerprints and food soils. Spray on a cloth before wiping the panel.

IMPORTANT NOTE: Do not spray cleaners directly on the control panel.

Control Knobs

Using a damp cloth, wipe with a mild detergent or spray degreaser. Rinse and dry.

Porcelain Top (Black)

Remove surface debris before cleaning to help speed up the cleaning process and decrease the chance of scratching the surface during cleaning. Using a mild abrasive cleaner, spray degreaser, or S.O.S.® Steel Wool Soap Pad, clean and rinse the surface and dry immediately to avoid streaking. To clean hard water stains, use white vinegar and water. Rinse and dry immediately.

IMPORTANT NOTE: Do not allow food with a high sugar or acid content (e.g. milk, tomatoes, fruit juices) to remain on any porcelain enamel surface. Failure to remove these foods may cause a permanent dull spot.

IMPORTANT NOTE: Never wipe a warm or hot porcelain surface with a damp cloth or sponge as this may cause chipping or crazing (hairline cracks).

Burner Grates and Oven Racks

Remove the grates or racks and place on a flat surface near the sink. Clean with hot water and mild detergent or a paste of baking soda and water. Do not immerse in water. Towel dry. A degreaser or Easy-Off® Fume Free Oven Cleaner along with a blue Scotch-Brite™ pad may be used sparingly. Towel dry. Only convection steam oven standard racks and rack guides are dishwasher safe.

Burner Rings and Caps

Allow the burner base and cap to cool. Use a mild detergent or spray degreaser to clean. Rinse with water and towel dry. Blow out the holes to remove any excess detergent or degreaser.

IMPORTANT NOTE: Because the burner ring and cap have a painted enamel surface, spilling food on them while hot can permanently stain or discolor the finish. This is normal.



Cleaning Reference



Griddle

A griddle cleaning kit can be ordered from your Wolf dealer. If you choose not to use the griddle cleaning kit, you may also use a green Scotch-Brite™ pad with a mild abrasive cleaner or white vinegar and water.

To begin, use a metal spatula with square corners to scrape grease and other debris into the collection tray.

While the surface is warm, pour water on it so that it bubbles, like deglazing a pan. Use a spatula to scrape off burnt-on food that bubbles up.

Pour on more water, then use a green Scotch-Brite™ pad with a folded towel on top to protect your hand from any steam. This will scrape or scrub the griddle surface clean. You can also use the 3M® Griddle Cleaning System (available through your Wolf dealer) to achieve the same result.

When the surface has cooled, wipe with a paper towel to remove excess grease or oil.

For stubborn stains, use the green Scotch-Brite™ pad with a mild abrasive cleaner, then rinse. Light scratches may occur with the Scotch-Brite™ pad. This is normal.

White vinegar and water or club soda can be helpful for the removal of stubborn stains and or discoloring of the griddle surface.

Once clean, spray or wipe on a small amount of peanut or vegetable oil to protect the griddle surface from oxidation. If oxidation or rust appears on the surface, simply clean it off with a fine grade steel wool.

IMPORTANT NOTE: Discoloration of the griddle surface is normal.

Charbroiler

To assist with the ease of cleaning, leave the charbroiler on for approximately 10 minutes after grilling is complete. This allows food and grease to burn off, which will decrease the amount of build-up. Once the grate has cooled, lift off and set in the sink. Use a soft bristle brush to remove food particles from the grate. Pour very hot water over the cooked-on residue. Cover with wet dish towels and pour more hot water over it. Allow the hot, moist conditions to help loosen the residue. Remove remaining soil with a mild detergent and scouring pad. Rinse and dry. For all other charbroiler components, remove from the range and soak in hot water and mild detergent. Wash thoroughly, scrubbing with a scouring pad if needed.

IMPORTANT NOTE: It is not necessary to clean the infrared burner, but if the holes on the burner become clogged, use a straightened paper clip to remove debris from the holes.

French Top

For stubborn stains, use the Scotch-Brite™ pad with a mild abrasive. This will not remove the "bluing" of the concentric rings. Light scratches may occur with use of the Scotch-Brite™ pad. This is normal.

White vinegar and water can be helpful for the removal of stubborn stains and discoloring of the French top surface.

Once clean, spray or wipe on a small amount of peanut or vegetable oil to protect the French top surface from oxidation. If oxidation or rust appears on the surface, simply clean it off with a fine grade steel wool.

IMPORTANT NOTE: Discoloration of the French top surface is normal.



Cleaning Reference



Broiler Pan

To clean the broiler pan upper rack, place in the sink while slightly warm. Pour very hot water over the cooked-on residue. Cover with wet dish towels and pour more hot water over it. Allow the hot, moist conditions to help loosen the residue. Remove the remaining soil with a mild detergent and scouring pad. Rinse and dry.

To clean the bottom of the broiler pan, pour the grease into a disposable can. When cool, wash the pan with hot water and a mild detergent. Rinse and dry.

If your broiler pan includes a stainless steel rack, the rack may be placed in a dishwasher.

IMPORTANT NOTE: Do not place the porcelain coated rack or pan in the dishwasher.

Outdoor Gas Grill

To clean the exterior of your outdoor grill, use a lint free or microfiber cloth and a stainless steel cleaner to remove any stains. Then apply a polish to maintain luster and protect the surface from future stains. Always apply the cleaner and polish in the same direction of the grain. To remove burn marks or heat stains, apply Penny Brite® cleaning paste to a sponge and lightly rub with the grain until the burn marks are gone. Wipe any remaining residue with a clean, damp cloth or sponge to reapply a coat of polish.

To clean the interior of your outdoor grill, leave the briquettes and grates in place (remove the smoker box) and turn all the burners (except rotisserie) on "HI". Allow the grill to heat for 15 to 20 minutes with the hood closed. Then, turn the burners "OFF" and allow the grill to cool completely. After the grill has cooled, use a no-scratch Scotch-Brite™ pad (pink or blue) and mild detergent or spray degreaser to scrub the stainless steel components. Always scrub in the direction of the grain. To remove the burn marks or heat stains, apply Penny Brite® cleaning paste to a sponge and lightly rub with the grain until the burn marks are gone. Wipe any remaining residue with a clean, damp cloth or sponge. Apply a polish to maintain luster and protect the surface from future stains.

Filters

VENTILATION HOOD FILTERS

Filters should be washed once a month.

To remove the filters from the hood, push toward the back of the hood and rotate the filters downward. The filters may be placed in the dishwasher or hand washed with mild detergent or spray degreaser. Reinstall the filters when dry.

IMPORTANT NOTE: Do not operate the hood without the filters.

DOWNDRAFT FILTERS

Filters should be washed once a month.

To remove the filters from the downdraft, push the filter tab down while pulling the filters out away from the downdraft. The filters may be placed in the dishwasher or hand washed with mild detergent or spray degreaser. Reinstall the filters when dry.

IMPORTANT NOTE: Do not operate the downdraft without the filters.

Cleaning Reference



Coffee System

Before cleaning, turn the unit off at the main switch and disconnect from the electrical supply. Never submerge the unit in water. Do not wash any components in the dishwasher.

COFFEE SPOUT

Clean periodically using a sponge. Remove any coffee deposits in the holes with a toothpick.

WATER TANK

Clean periodically (about once a month) with a damp cloth and mild dish soap. Rinse and towel dry.

INFUSER

Clean the infuser at least once a month. Turn the unit off, then open the service door and remove the drip tray and grounds container. Press the two red buttons inward and remove the infuser. Soak in water approximately 5 minutes, then rinse and towel dry. Do not use detergent. Replace by sliding the infuser onto the internal support and bottom pin, then press "PUSH" until it clicks into place. Verify the red buttons have snapped out.

IMPORTANT NOTE: Do not use detergent to clean the infuser. It will remove the lubricant on interior parts.

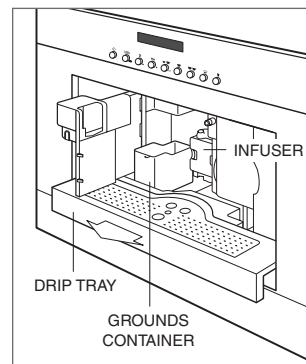
DRIP TRAY AND GROUNDS CONTAINER

Empty and clean the drip tray before the water level indicator protrudes from the cup tray. Empty and clean the grounds container when "EMPTY GROUNDS CONTAINER" is displayed. Open the service door. Remove and empty the drip tray and grounds container. Wash with warm water and mild dish soap. Rinse and towel dry. Refer to the illustration below.

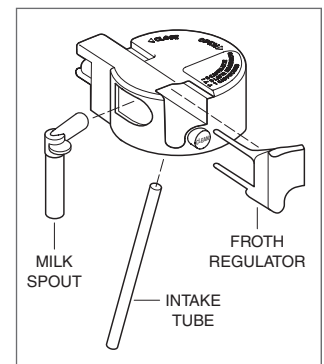
MILK CONTAINER AND LID

Unscrew the lid, remove the milk spout and intake tube. Remove the froth regulator by pulling outward. Refer to the illustration below. Wash all components thoroughly with hot water and mild dish soap. Rinse and dry before reassembling. The components are dishwasher safe; use the top rack of the dishwasher.

Clean the circuits in the lid after making cappuccino. "PRESS CLEAN" flashes on the display. Place a cup under the milk spout. Press and hold "CLEAN" on the lid for 5 seconds to initiate cleaning. "CLEANING UNDERWAY" appears on the display. Hold "CLEAN" until the progress bar is complete. After cleaning, remove the milk container and store in the refrigerator.



Service door open



Milk container lid



Producto de limpieza recomendado

TIPO	PRODUCTO
Desengrasante en aerosol	Productos Formula 409®, limpiadores cítricos
Detergentes suaves	Limpiadores Ivory®, limpiadores Joy®, limpiadores Dawn®, limpiadores Palmolive®, limpiadores Method® *, limpiadores Neu™ *
Limpiador para acero inoxidable/limpiametales	Signature polish, limpiador para acero inoxidable Magic®, limpiador para acero inoxidable/limpiametales 3M™, vinagre blanco y agua, limpiador de vitrocerámica Scotch-Brite™, productos de acero inoxidable Method® *
Abrasivos ligeros	Soft Scrub®, Bon-Ami® *, Bar Keeper's Friend®, limpiador para hornos sin gases Easy-Off®, Dawn® Power Dissolver, Krud Kutter®
Vitrocerámica Ceran limpiadores	Limpieza para vitrocerámicas Elco/Weiman® Crème

*Indica alternativas de limpieza que protegen el medio ambiente.

Acero inoxidable y platino

Utilice un paño de microfibra o que no suelte pelusa y un limpiador para acero inoxidable a fin de eliminar las manchas de los alimentos. Luego aplique limpiametales para conservar el brillo y proteger la superficie contra manchas de alimentos en el futuro. Aplique siempre el limpiador y limpiametales en la misma dirección del grano.

Vitrocerámica a gas, tubo ascendente o protector contra salpicaduras

Para eliminar marcas de quemaduras o manchas ocasionadas por el calor, aplique crema para limpiar Penny Brite® en una esponja y frote suavemente en la dirección del grano hasta que las marcas desaparezcan. Limpie los residuos con una esponja o un paño limpio y húmedo. Aplique limpiametales para conservar el brillo y proteger la superficie contra manchas en el futuro.

AVISO IMPORTANTE: No utilice Penny Brite® en sus electrodomésticos Wolf, excepto como se especifica anteriormente.

Interior del horno (azul)

Antes de activar la función de autolimpieza, retire suavemente con un cuchillo los restos de alimentos adheridos a la cavidad y la puerta del horno. Para eliminar manchas difíciles, aplique un limpiador ligeramente abrasivo o desengrasante en aerosol y frótelos con una esponja Scotch-Brite™ cero rayones (rosa o azul). Si la mancha persiste, utilice limpiador para hornos sin gases Easy-Off® o una estopa de acero con jabón S.O.S.®. La estopa S.O.S.® se debe frotar suavemente al principio y aumentar la fuerza si la mancha no quita. Lave la cavidad del horno con agua y jabón para eliminar todos los productos químicos de limpieza antes de activar el modo de autolimpieza. Si no se retiran los residuos de la cavidad, es posible que la porcelana se desgaste por corrosión. Una vez que el ciclo de autolimpieza haya terminado, deje enfriar el horno por completo y limpie la ceniza con un paño húmedo.

AVISO IMPORTANTE: No permita que los alimentos con alto contenido de azúcar o ácido (es decir, leche, tomates, jugos de fruta) permanezcan en contacto con superficies de porcelana esmaltada. No limpiar las manchas de estos alimentos puede crear áreas opacas permanentes.

AVISO IMPORTANTE: Nunca limpie superficies de porcelana que aún estén calientes con esponjas o paños húmedos, puesto que podría ocasionar resquebrajamiento.

Interior del horno (negro)

Utilice limpiadores ligeramente abrasivos, desengrasantes en aerosol y esponjas Scotch-Brite™ cero rayones (rosa o azul). Retire con un cuchillo los restos de alimentos adheridos a la cavidad y la puerta del horno. Para eliminar manchas difíciles, aplique un limpiador ligeramente abrasivo o desengrasante en aerosol y frótelos con una esponja Scotch-Brite™ rosa o azul. Si la mancha persiste, utilice limpiador para hornos sin gases Easy-Off® o una estopa de acero con jabón S.O.S.®. La estopa S.O.S.® se debe frotar suavemente al principio y aumentar la fuerza si la mancha no quita. Lave la cavidad del horno con agua y jabón para eliminar todos los productos químicos de limpieza.

AVISO IMPORTANTE: No permita que los alimentos con alto contenido de azúcar o ácido (es decir, leche, tomates, jugos de fruta) permanezcan en contacto con superficies de porcelana esmaltada. No limpiar las manchas de estos alimentos puede crear áreas opacas permanentes.

AVISO IMPORTANTE: Nunca limpie superficies de porcelana que aún estén calientes con esponjas o paños húmedos, puesto que podría ocasionar resquebrajamiento.

Referencia para la Limpieza



Puerta de cristal del horno

Para limpiar el exterior utilice agua tibia jabonosa y un paño suave para retirar las manchas de comida y luego utilice un paño sin pelusa y limpiador de cristal para eliminar las rayas.

Para limpiar el interior utilice la función de autolimpieza y deje que el horno se enfríe completamente. Utilice una espátula para retirar los alimentos adheridos. Si las manchas persisten, utilice un desengrasante en aerosol y frote con una esponja Scotch-Brite™ cero rayones rosa o azul.

Encimeras de vidrio (hornos eléctricos y de inducción)

Vierta una cucharadita de limpiador no abrasivo para vitrocerámicas Ceran sobre la superficie y límpiela con un paño limpio y ligeramente humedecido o una esponja Scotch-Brite™ azul. Enjuague el paño o la esponja con agua y limpie la superficie de nuevo para retirar cualquier residuo. Limpie la superficie de la vitrocerámica con un paño seco para eliminar la humedad. En el caso de derrames fuertes o líquidos quemados, deje que la vitrocerámica se enfríe y retire los residuos con una espátula.

Si se trata de un modelo con marco, limpie el marco con un producto no abrasivo. Seque suavemente con un paño o una almohadilla. Retire los residuos de limpiador que queden en el marco antes de usar la vitrocerámica.

AVISO IMPORTANTE: No limpiar los líquidos con alto contenido de azúcar que se han derramado en la zona caliente puede deformar el vidrio. Utilice una espátula para trasladar el derrame a un lugar fresco para limpiarlo después de que la vitrocerámica se enfríe.

AVISO IMPORTANTE: Nunca limpie superficies que aún estén calientes con esponjas o paños húmedos, puesto que podría ocasionar daños.

Encimera de porcelana (negra)

Retire los desechos de la superficie antes de limpiarla para agilizar el proceso de limpieza y disminuir las posibilidades de rayar la superficie. Utilizando limpiadores ligeramente abrasivos, desengrasantes en aerosol o estopas de acero con jabón S.O.S.®, limpie y enjuague la superficie y séquela de inmediato para evitar que se raye. Utilice vinagre blanco y agua para limpiar las manchas ocasionadas por el agua con alto contenido de minerales. Enjuague y seque de inmediato.

AVISO IMPORTANTE: No permita que los alimentos con alto contenido de azúcar o ácido (es decir, leche, tomates, jugos de fruta) permanezcan en contacto con superficies de porcelana esmaltada. No limpiar las manchas de estos alimentos puede crear áreas opacas permanentes.

AVISO IMPORTANTE: Nunca limpie superficies de porcelana que aún estén calientes con esponjas o paños húmedos, puesto que podría ocasionar resquebrajamiento.

Rejillas (hornillas y parrillas)

Retire las rejillas o bastidores y colócalo sobre una superficie plana cerca del fregadero. Límpielas con agua caliente y un detergente suave o con pasta de bicarbonato de sodio y agua. No las sumerja en agua. Seque con una toalla. Desengrasante o limpiador para hornos sin gases Easy-Off®, junto con una esponja Scotch-Brite™ azul, se pueden utilizar con moderación. Seque con una toalla. Solo las parrillas y guías estándar de horno de vapor de convección son aptas para lavavajillas.

Anillos y tapas de las hornillas

Espere hasta que la base y la tapa de las hornillas se hayan enfriado. Límpielas con detergente suave o desengrasante en aerosol. Enjuague con agua y séquelas con una toalla. Sople los orificios para retirar cualquier residuo de detergente o desengrasante.

AVISO IMPORTANTE: Debido a que la superficie de los anillos y las tapas de las hornillas es esmaltada, derramar líquidos sobre ellos mientras están calientes puede manchar o decolorizar el acabado de forma permanente. Esto es normal.

Referencia para la Limpieza



Plancha

Usted puede realizar el pedido del kit de limpieza para planchas a su distribuidor de productos Wolf. Si decide no adquirir el kit de limpieza para planchas, también puede utilizar una esponja Scotch-Brite™ verde con limpiador ligeramente abrasivo o vinagre blanco y agua.

Para comenzar, utilice una espátula metálica cuadrada para raspar la grasa y otros residuos e introducirlos en la bandeja de recolección.

Mientras la superficie aún esté caliente, vierta agua sobre ella de modo que burbujee, como quitando el glaseado de un sartén. Utilice una espátula para retirar los residuos de alimentos adheridos que ahora burbujan.

Vierta más agua y utilice una esponja Scotch-Brite™ verde con una toalla doblada por encima para proteger las manos del vapor. Así podrá raspar o frotar la superficie de la plancha hasta que quede limpia. También puede utilizar el Sistema de limpieza para planchas de 3M® (disponible a través de su distribuidor de productos Wolf) para lograr el mismo resultado.

Cuando la superficie se haya enfriado, límpiela con papel absorbente para retirar el exceso de grasa o aceite.

Para eliminar manchas difíciles, frote limpiador ligeramente abrasivo con una esponja Scotch-Brite™ verde y luego enjuague. Es posible que la esponja Scotch-Brite™ produzcan rayones leves. Esto es normal.

Vinagre blanco y agua o la soda pueden ser útiles para eliminar manchas difíciles o la decoloración de la superficie de la plancha.

Una vez que esté limpia, aplique una pequeña cantidad de aceite vegetal o de cacahuete para proteger la superficie contra la oxidación. Si se presenta oxidación o corrosión en la superficie de la plancha, simplemente límpiela con una estopa de acero fino.

AVISO IMPORTANTE: La decoloración de la superficie de la plancha es normal.

Parrilla

Para facilitar la limpieza, deje la parrilla encendida durante aproximadamente 10 minutos después de terminar la cocción de los alimentos. Esto permite que los alimentos o la grasa se quemen, y así se disminuye su acumulación. Una vez que la rejilla se enfríe, retírela y colóquela en el fregadero. Utilice un cepillo de cerdas suaves para retirar las partículas de alimentos de la rejilla. Vierta agua muy caliente sobre los residuos de la cocción adheridos a la rejilla. Cúbrala con toallas de cocina húmedas y vierta más agua sobre ella. Permita que las condiciones de alta temperatura y humedad aflojen los residuos. Elimine la suciedad restante con detergente suave y un estropajo. Enjuague y seque. Para todos los demás componentes de la parrilla, retírelos y remójelos en agua caliente y detergente suave. Lávelos y frótelos con un estropajo si es necesario.

AVISO IMPORTANTE: No es necesario limpiar el quemador infrarrojo, pero si los orificios se tapan, enderezca un sujetapapeles y utilícelo para retirar los residuos de los orificios.

Encimera francesa

Para eliminar manchas difíciles, frote limpiador ligeramente abrasivo con una esponja Scotch-Brite™. Esta operación no eliminará la coloración azulosa de los anillos concéntricos. Es posible que se produzcan rayones leves al utilizar la esponja Scotch-Brite™. Esto es normal.

Vinagre blanco y agua pueden ser útiles para eliminar manchas difíciles o la decoloración de la superficie de la encimera Francesa.

Una vez que esté limpia, aplique una pequeña cantidad de aceite vegetal o de cacahuete para proteger la superficie contra la oxidación. Si se presenta oxidación o corrosión en la superficie de la encimera Francesa, simplemente límpiela con una estopa de acero fino.

AVISO IMPORTANTE: La decoloración de la superficie de la encimera Francesa es normal.



Referencia para la Limpieza



Paneles de control

Utilice desengrasante en aerosol para retirar las marcas de los dedos y los residuos de alimentos. Rocíe el producto en un paño antes de limpiar el panel.

AVISO IMPORTANTE: No aplique los limpiadores directamente sobre el panel.

Perillas de Control

Utilizando un paño húmedo, límpielas con detergente suave o desengrasante en aerosol; enjuague y deje secar.

Parrilla para asar

Para limpiar la rejilla superior de la parrilla, colóquela en el fregadero mientras está ligeramente caliente. Vierta agua muy caliente sobre los residuos de la cocción adheridos a la rejilla. Cúbrala con toallas de cocina húmedas y vierta más agua sobre ella. Permita que las condiciones de alta temperatura y humedad aflojen los residuos. Elimine la suciedad restante con detergente suave y un estropajo. Enjuague y seque.

Para limpiar la parte inferior de la parrilla, vierta la grasa en un recipiente desechable. Cuando se haya enfriado, lave la sartén con agua caliente y detergente suave. Enjuague y seque.

Si la parrilla incluye una rejilla de acero inoxidable, puede introducirla en el lavavajillas.

AVISO IMPORTANTE: No introduzca rejillas o sartenes con acabados de porcelana en el lavavajillas.

Filtros de la campana de ventilación

Los filtros se deben lavar una vez al mes.

Para sacar los filtros de la campana, empújelos hacia la parte posterior de la campana y rótelos hacia abajo. Los filtros se deben introducir en el lavavajillas o lavarse a mano con detergente suave o desengrasante en aerosol. Vuelva a instalar los filtros cuando estén secos.

AVISO IMPORTANTE: No ponga la campana en funcionamiento sin los filtros.

Filtros del ventilador de tiro descendente

Los filtros se deben lavar una vez al mes.

Para retirar los filtros del ventilador de tiro descendente, empuje la pestaña del filtro hacia abajo mientras hala el filtro para sacarlo. Los filtros se deben introducir en el lavavajillas o lavarse a mano con detergente suave o desengrasante en aerosol. Vuelva a instalar los filtros cuando estén secos.

AVISO IMPORTANTE: No ponga en funcionamiento el ventilador de tiro descendente sin los filtros.

Parrilla de gas para exteriores

Para limpiar el exterior de la parrilla, utilice un paño de microfibra o que no suelte pelusa y un limpiador para acero inoxidable a fin de retirar cualquier mancha. Luego aplique limpiametales para conservar el brillo y proteger la superficie contra manchas en el futuro. Aplique siempre el limpiador y limpiametales en la misma dirección del grano. Para eliminar marcas de quemaduras o manchas ocasionadas por el calor, aplique crema para limpiar Penny Brite® en una esponja y frote suavemente en la dirección del grano hasta que las marcas desaparezcan. Limpie los residuos con una esponja o un paño limpio y húmedo para aplicar otra capa de limpiametales.

Para limpiar el interior de la parrilla, deje las briquetas y rejillas en su lugar (retire la caja de ahumado) y encienda todas las hornillas en HI (Alto), excepto el asador. Deje que la parrilla se caliente durante 15 o 20 minutos con la tapa cerrada. Luego, apague las hornillas y deje que la parrilla se enfríe por completo. Después de que la parrilla se haya enfriado, utilice una esponja Scotch-Brite™ cero rayones (rosa o azul) y detergente suave o desengrasante en aerosol para frotar los componentes de acero inoxidable.

Siempre frote en la dirección del grano. Para eliminar marcas de quemaduras o manchas ocasionadas por el calor, aplique crema para limpiar Penny Brite® en una esponja y frote suavemente en la dirección del grano hasta que las marcas desaparezcan. Limpie los residuos con una esponja o un paño limpio y húmedo. Aplique limpiametales para conservar el brillo y proteger la superficie contra manchas en el futuro.



Produits de nettoyage recommandés

TYPE	PRODUITS
Dégraissant en aérosol	Produits Formula 409 [®] , nettoyeurs aux aérosols
Détergents doux	Nettoyants Ivory [®] , nettoyeurs Joy [®] , nettoyeurs Dawn [®] , nettoyeurs Palmolive [®] , nettoyeurs Method [®] *, nettoyeurs Neu [™] *
Nettoyant/produit à polir l'acier inoxydable	Produit à polir Signature, nettoyant pour l'acier inoxydable Magic [®] , nettoyant/produit à polir l'acier inoxydable 3M [™] , vinaigre blanc et eau, nettoyant pour surface de cuisson Scotch-Brite [™] , produits pour l'acier inoxydable Method [®] *
Abrasifs doux	Soft Scrub [®] , Bon-Ami [®] *, Bar Keeper's Friend [®] , produit à nettoyer les fours Easy-Off [®] sans émanations, Dissolvant puissant Dawn [®] , Krud Kutter [®] *
Nettoyants pour crème pour nettoyer les surfaces de cuissons	Surface de cuisson Elco/Weiman [®]

*Dénote des solutions de rechange écologiques.

Acier inoxydable et platine

Utilisez un chiffon sans peluche ou en microfibre et un nettoyant pour acier inoxydable pour éliminer les taches de nourriture. Appliquez ensuite un produit à polir pour préserver le lustre et protéger la surface des taches de nourriture futures. Appliquez toujours le nettoyant et le produit à polir dans la même direction que le grain.

Surface de cuisson au gaz, montée ou dossier en acier inoxydable

Pour éliminer les marques de brûlure ou les taches de chaleur, appliquez la pâte de nettoyage Penny Brite[®] sur une éponge et frottez légèrement le long du grain jusqu'à ce que les marques de brûlure soient disparues. Essayez tout résidu qui reste avec un chiffon ou une éponge propres et humides. Appliquez un produit à polir pour préserver le lustre et protéger la surface des taches futures.

REMARQUE IMPORTANTE: N'utilisez pas Penny Brite[®] sur votre appareil Wolf à l'exception de ce qui est précisé ci-dessus.

Intérieur du four (bleu)

Avant d'utiliser la fonction autonettoyage, utilisez une lame de rasoir pour soulever doucement les aliments cuits sur la cavité et la fenêtre du four. Pour les taches rebelles, pulvérisez un nettoyant abrasif doux ou un dégraissant en aérosol et frottez avec un tampon Scotch-Brite[™] sans égratignure (rose ou bleu). Si la tache persiste, utilisez le produit à nettoyer les fours Easy-Off[®] sans émanations ou une savonnette en laine d'acier S.O.S.[®]. La savonnette S.O.S.[®] doit être utilisée légèrement au début et avec plus de force si la tache persiste. Lavez la cavité du four au complet avec du savon et de l'eau pour éliminer tout produit chimique de nettoyage avant d'utiliser le mode autonettoyage. Si le résidu n'est pas nettoyé de la cavité, la porcelaine risque d'être gravée. Une fois le cycle autonettoyage terminé, laissez le four se refroidir complètement et essuyez les cendres avec un chiffon humide.

REMARQUE IMPORTANTE: Ne laissez pas des aliments à teneur élevée en sucre ou en acide (comme le lait, les tomates, les jus de fruit) sur toute surface en émail de porcelaine. Ne pas retirer ces aliments pourrait causer une tache terne permanente.

REMARQUE IMPORTANTE: N'essayez jamais une surface en porcelaine tiède ou chaude avec un chiffon ou une éponge humides, car cela peut causer de l'écaillage ou des fissures.

Intérieur du four (noir)

Utilisez des nettoyants abrasifs doux, des dégraissants en aérosol et un tampon Scotch-Brite[™] sans égratignure (rose ou bleu). Utilisez une lame de rasoir pour doucement soulever les aliments cuits sur la cavité et la fenêtre du four. Pour les taches rebelles, pulvérisez un nettoyant abrasif doux ou un dégraissant en aérosol et frottez avec un tampon Scotch-Brite[™] rose ou bleu. Si la tache persiste, utilisez le produit à nettoyer les fours Easy-Off[®] sans émanations ou une savonnette en laine d'acier S.O.S.[®]. La savonnette S.O.S.[®] doit être utilisée légèrement au début et avec plus de force si la tache persiste. Lavez la cavité du four au complet avec de l'eau et du savon pour éliminer tous les produits chimiques de nettoyage.

REMARQUE IMPORTANTE: Ne laissez pas des aliments à teneur élevée en sucre ou en acide (comme le lait, les tomates, les jus de fruit) sur toute surface en émail de porcelaine. Ne pas retirer ces aliments pourrait causer une tache terne permanente.

REMARQUE IMPORTANTE: N'essayez jamais une surface en porcelaine tiède ou chaude avec un chiffon ou une éponge humides, car cela peut causer de l'écaillage ou des fissures.

Référence pour le nettoyage



Porte de four en verre

Pour nettoyer l'extérieur, utilisez de l'eau tiède savonneuse et un chiffon doux pour éliminer les taches de nourriture, puis utilisez un chiffon non pelucheux et un nettoyant pour verre pour éliminer les stries.

Pour nettoyer l'intérieur, utilisez la fonction autonettoyage et laissez le four se refroidir complètement. Utilisez un grattoir à lame de rasoir pour éliminer les aliments cuits. Si les taches persistent, utilisez un dégraissant en aérosol et frottez avec un tampon Scotch-Brite™ sans égratignure bleu ou rose.

Surfaces de cuisson en verre (électriques et à induction)

Au moyen d'un nettoyant pour surface de cuisson Ceran non abrasif, appliquez 5 ml de nettoyant sur la surface et essuyez avec un chiffon propre légèrement humecté ou un tampon Scotch-Brite™ bleu. Rincez le chiffon ou le tampon avec de l'eau et nettoyez la surface à nouveau pour éliminer tout résidu restant. Essuyez la surface de cuisson avec un chiffon sec pour éliminer toute humidité restante. Pour les renversements plus importants ou brûlés, laissez la surface de cuisson refroidir et utilisez le racloir d'une lame de rasoir pour éliminer les débris.

Pour les modèles encadrés, nettoyez le cadre au moyen d'un nettoyant non abrasif. Essuyez doucement avec un chiffon ou un tampon. Éliminez tout résidu de nettoyant du cadre avant d'utiliser la surface de cuisson.

REMARQUE IMPORTANTE: Ne pas éliminer les renversements à haute teneur en sucre de la zone chaude peut marquer le verre. Utilisez le racloir d'une lame de rasoir pour déplacer le renversement vers une zone fraîche pour le nettoyer lorsque la surface de cuisson aura refroidi.

REMARQUE IMPORTANTE: N'essuyez jamais une surface tiède ou chaude avec un chiffon ou une éponge humides, car cela peut causer des dommages à la surface.

Surface de cuisson en porcelaine (noire)

Retirez les débris en surface avant de nettoyer pour aider à accélérer le processus de nettoyage et réduire le risque d'égratignures à la surface pendant le nettoyage. Au moyen de nettoyants abrasifs doux, de dégraissants en aérosol ou de savonnets en laine d'acier S.O.S.®, nettoyez et rincez la surface et séchez immédiatement pour éviter tout bariolage. Pour nettoyer les taches d'eau dure, utilisez du vinaigre blanc et de l'eau. Rincez et séchez immédiatement.

REMARQUE IMPORTANTE: Ne laissez pas des aliments à teneur élevée en sucre ou en acide (comme le lait, les tomates, les jus de fruit) sur toute surface en émail de porcelaine. Ne pas retirer ces aliments pourrait causer une tache terne permanente.

REMARQUE IMPORTANTE: N'essuyez jamais une surface en porcelaine tiède ou chaude avec un chiffon ou une éponge humides, car cela peut causer de l'écaillage ou des fissures.

Grilles du brûleur et grilles du four

Enlever les grilles ou des supports et placez sur une surface plane près de l'évier. Nettoyez avec de l'eau chaude et un détergent doux ou une pâte de bicarbonate de soude et d'eau. N'immergez pas dans l'eau. Séchez avec une serviette. Des dégraissants ou le produit à nettoyer les fours Easy-Off® sans émanations en plus d'un tampon Scotch-Brite™ bleu peuvent être utilisés, mais modérément. Séchez avec une serviette. Seuls les grilles et guides de four à vapeur à convection standard vont au lave-vaisselle.

Anneaux et capuchons de brûleur

Laissez la base et le capuchon du brûleur se refroidir. Utilisez un détergent doux ou un dégraissant en aérosol pour nettoyer. Rincez avec de l'eau et séchez avec une serviette. Soufflez dans les trous pour éliminer tout excédent de détergent ou de dégraissant.

REMARQUE IMPORTANTE: Puisque l'anneau et le capuchon du brûleur possèdent une surface en émail peint, tout renversement sur ces derniers pendant qu'ils sont chauds peut tacher ou décolorer le fini de façon permanente. Cela est tout à fait normal.

Référence pour le nettoyage



Plaque à frire

Une trousse de nettoyage pour plaque à frire peut être commandée de votre dépositaire Wolf. Si vous choisissez de ne pas utiliser la trousse de nettoyage pour plaque à frire, vous pouvez alors utiliser un tampon Scotch-Brite™ vert avec un nettoyeur abrasif doux ou du vinaigre blanc et de l'eau.

Pour commencer, utilisez une spatule métallique avec des coins droits pour racler la graisse et les autres débris dans le collecteur de graisse.

Pendant que la surface est tiède, versez de l'eau pour créer des bulles, comme pour déglacer une poêle. Utilisez la spatule pour racler les aliments brûlés qui ont maintenant créés des bulles.

Versez d'autre eau, puis utilisez un tampon Scotch-Brite™ vert avec une serviette pliée par-dessus pour protéger vos mains de toute vapeur. Cela permettra de gratter / frotter la surface de la plaque à frire jusqu'à ce qu'elle soit propre. Vous pouvez aussi utiliser le système de nettoyage pour plaque à frire 3M® (offert par votre dépositaire Wolf) pour obtenir les mêmes résultats.

Une fois la surface refroidie, essuyez-la avec un essuie-tout pour éliminer l'excédant de graisse ou d'huile.

Pour les taches rebelles, utilisez le tampon Scotch-Brite™ vert avec un nettoyeur abrasif doux, puis rincez. De légères égratignures peuvent se produire avec le tampon Scotch-Brite™. Cela est tout à fait normal.

Du vinaigre blanc et de l'eau ou de l'eau gazéifiée peuvent être utiles pour éliminer les taches rebelles et les décolorations sur la surface de la plaque à frire.

Une fois nettoyée, pulvérisez ou appliquez une petite quantité d'huile végétale ou d'arachide pour protéger la surface de l'oxydation. En cas d'oxydation ou d'apparition de rouille sur la surface de la plaque à frire, essuyez simplement avec une laine d'acier fine.

REMARQUE IMPORTANTE: La décoloration de la surface de la plaque à frire est normale.

Grilloir

Pour faciliter le nettoyage, laissez le grilloir en marche pendant environ 10 minutes une fois le grillage terminé. Cela permet aux aliments et à la graisse de brûler, ce qui diminue la quantité d'accumulation. Une fois la grille refroidie, soulevez-la et déposez-la dans l'évier. Utilisez une brosse à poils doux pour éliminer les particules d'aliment de la grille. Versez de l'eau très chaude sur les résidus de cuisson. Couvrez avec des serviettes à vaisselle humides et versez d'autre eau chaude. Laissez les conditions chaudes et humides aider à déloger les résidus. Nettoyez toute saleté restante à l'aide d'un tampon à récurer avec un détergent doux. Rincez et séchez. Pour tous les autres composants du grilloir, retirez de la cuisinière et faites tremper dans de l'eau chaude avec un détergent doux. Lavez à fond en frottant avec un tampon à récurer, au besoin.

REMARQUE IMPORTANTE: Il n'est pas nécessaire de nettoyer le brûleur infrarouge, mais si les trous du brûleur sont obstrués, dépliez un trombone et utilisez-le pour éliminer les débris des trous.

Table de cuisson française

Pour les taches rebelles, utilisez le tampon Scotch-Brite™ avec un nettoyeur abrasif doux. Cela n'éliminera pas le « bleuissement » des anneaux concentriques. De légères égratignures peuvent se produire en utilisant le tampon Scotch-Brite™. Cela est tout à fait normal.

Du vinaigre blanc et de l'eau peuvent être utiles pour éliminer les taches rebelles et les décolorations sur la surface de la plaque à frire.

Une fois nettoyée, pulvérisez ou appliquez une petite quantité d'huile végétale ou d'arachide pour protéger la surface de l'oxydation. En cas d'oxydation ou d'apparition de rouille sur la surface de la plaque à frire, essuyez simplement avec une laine d'acier fine.

REMARQUE IMPORTANTE: La décoloration de la surface de la table de cuisson Française est normale.

Référence pour le nettoyage



Panneaux de commande

Utilisez un dégraissant pulvérisé pour éliminer les empreintes de doigts et les taches de nourriture. Pulvérisez sur un chiffon avant d'essuyer le panneau.

REMARQUE IMPORTANTE: Ne pulvérisez pas les produits à nettoyer directement sur le panneau.

Boutons de contrôle

Avec un chiffon humide, essayez avec un détergent doux ou un dégraissant en aérosol; rincez et séchez.

Lèchefrite

Pour nettoyer la grille supérieure de la lèchefrite, placez-la dans l'évier tandis qu'elle est encore légèrement tiède. Versez de l'eau très chaude sur les résidus de cuisson. Couvrez avec des serviettes à vaisselle humides et versez d'autre eau chaude. Laissez les conditions chaudes et humides aider à déloger les résidus. Nettoyez toute saleté restante à l'aide d'un tampon à récurer avec un détergent doux. Rincez et séchez.

Pour nettoyer la partie inférieure de la lèchefrite, versez la graisse dans une cannette jetable. Lorsqu'elle a refroidi, lavez-la avec de l'eau chaude et un détergent doux. Rincez et séchez.

Si votre lèchefrite comprend une grille en acier inoxydable, celle-ci peut être placée dans le lave-vaisselle.

REMARQUE IMPORTANTE: Ne placez une grille ou une lèchefrite enduite de porcelaine dans un lave-vaisselle.

Filtres de la hotte

Les filtres doivent être lavés une fois par mois.

Pour retirer les filtres de la hotte, poussez vers l'arrière de la hotte et pivotez les filtres vers le bas. Les filtres peuvent être placés dans le lave-vaisselle ou lavés à la main avec un détergent doux ou un dégraissant en aérosol. Remplacez les filtres lorsqu'ils sont secs.

REMARQUE IMPORTANTE: Ne faites pas fonctionner la hotte sans filtre.

Filtres pour l'évacuation à tirage par le bas

Les filtres doivent être lavés une fois par mois.

Pour retirer les filtres de l'évacuation à tirage par le bas, poussez l'onglet de filtre vers le bas tout en tirant le filtre hors de l'évacuation. Les filtres peuvent être placés dans le lave-vaisselle ou lavés à la main avec un détergent doux ou un dégraissant en aérosol. Remplacez les filtres lorsqu'ils sont secs.

REMARQUE IMPORTANTE: Ne faites pas fonctionner l'évacuation à tirage vers le bas sans filtre.

Barbecue au gaz

Pour nettoyer l'extérieur de votre barbecue, utilisez un chiffon sans peluche ou en microfibre et un nettoyant pour acier inoxydable pour éliminer les taches. Appliquez ensuite un produit à polir pour préserver le lustre et protéger la surface des taches futures. Appliquez toujours les nettoyants et les produits à polir dans la même direction que le grain. Pour éliminer les marques de brûlure ou les taches de chaleur, appliquez la pâte de nettoyage Penny Brite® sur une éponge et frottez légèrement le long du grain jusqu'à ce que les marques de brûlure soient disparues. Essuyez tout résidu restant avec un chiffon ou une éponge propres et humides pour appliquer une autre couche de produit à polir.

Pour nettoyer l'intérieur de votre barbecue, laissez les briquettes et les grilles en place (retirez le fumoir) et mettez tous les brûleurs (sauf celui de la rôtisserie) à HI (puissance élevée). Laissez le barbecue chauffer pendant 15 à 20 minutes avec le couvercle fermé. Ensuite, mettez tous les brûleurs à OFF (arrêt) et laissez le barbecue se refroidir complètement. Une fois le barbecue refroidi, utilisez un tampon Scotch-Brite™ sans égratignure (rose ou bleu) et un détergent doux ou un dégraissant en aérosol pour frotter les composants en acier inoxydable. Frottez toujours dans la direction du grain. Pour éliminer les marques de brûlure ou les taches de chaleur, appliquez la pâte de nettoyage Penny Brite® sur une éponge et frottez légèrement le long du grain jusqu'à ce que les marques de brûlure soient disparues. Essuyez tout résidu qui reste avec un chiffon ou une éponge propres et humides. Appliquez un produit à polir pour préserver le lustre et protéger la surface des taches futures.