

INSTALLATION GUIDE

Drawer Microwave Ovens



Contents

| | |
|--|----|
| Wolf Drawer Microwave Ovens | 3 |
| Drawer Microwave Oven Specifications | 4 |
| Drawer Microwave Oven Installation | 10 |
| Service Information | 11 |

Features and specifications are subject to change at any time without notice. Visit wolfappliance.com/specs for the most up-to-date information.

IMPORTANT NOTE: Throughout this guide, dimensions in parentheses are millimeters unless otherwise specified.

Important Note

To ensure the safe and efficient use of Wolf equipment, please take note of the following types of highlighted information throughout this guide:

IMPORTANT NOTE highlights information that is especially important.

CAUTION signals a situation where minor injury or product damage may occur if instructions are not followed.

WARNING states a hazard that may cause serious injury or death if precautions are not followed.



Drawer Microwave Ovens

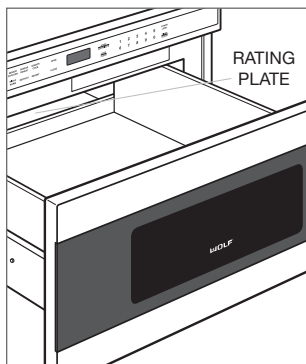
IMPORTANT NOTE: This installation must be completed by a qualified installer or Wolf authorized service center technician.

Read this entire installation guide prior to installation and save for the local inspector's reference. The homeowner should keep this installation guide for future reference.

This appliance must be installed in accordance with National Electrical Codes, as well as all state, municipal and local codes. The correct voltage, frequency and amperage must be supplied to the appliance from a dedicated, grounded circuit which is protected by a properly sized circuit breaker or time delay fuse. The proper voltage, frequency and amperage ratings are listed on the product rating plate.

Record the model and serial numbers before installing the warming drawer. Both numbers are listed on the product rating plate, located on the bottom of the oven cavity. The drawer must be in the open position to view the rating plate. Refer to the illustration below.

| Wolf Drawer Microwave Oven |
|----------------------------|
| Model Number |
| Serial Number |



Location of rating plate.

IMPORTANT NOTE: When using any microwave oven generating heat, there are certain safety precautions you should follow. These precautions are listed in the Wolf drawer microwave ovens use & care guide provided with the unit. Read all and follow carefully.

⚠ WARNING

If the information in this guide is not followed exactly, a fire or electrical shock may result that could cause property damage, personal injury or death.

⚠ WARNING

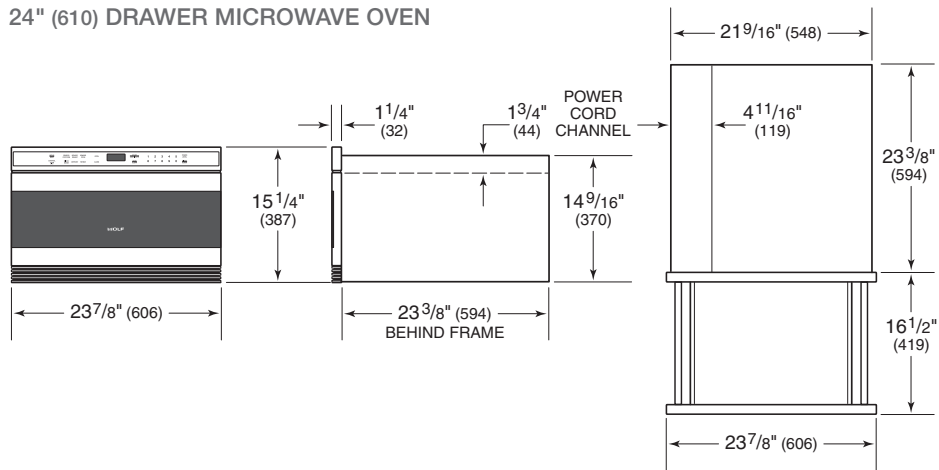
To reduce the risk of tipping, the drawer microwave oven must be secured by properly installed anti-tip blocking.

This microwave oven must be electrically grounded in accordance with local codes.

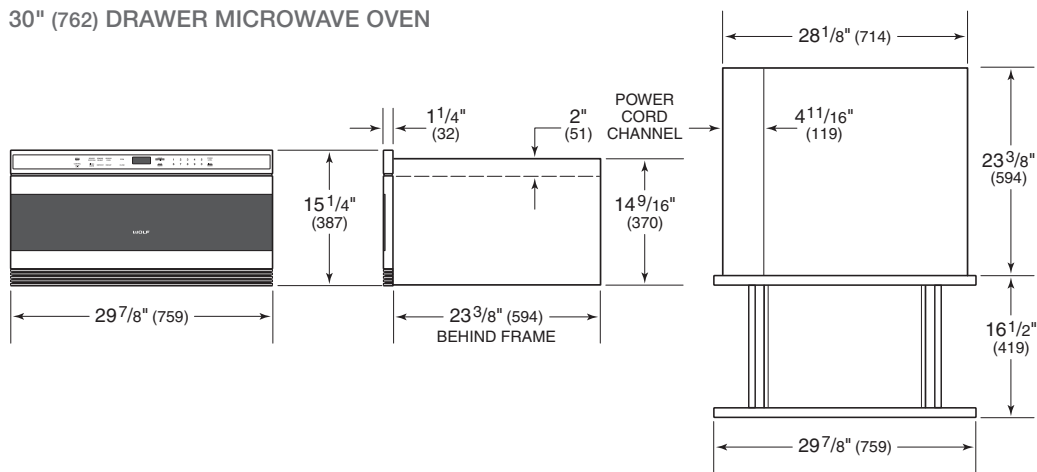
Make sure the wall coverings and the cabinets around the appliance can withstand the heat generated by a microwave oven.

Overall Dimensions

24" (610) DRAWER MICROWAVE OVEN



30" (762) DRAWER MICROWAVE OVEN

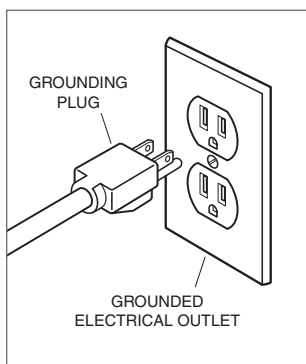


Electrical Requirements

The Wolf drawer microwave oven requires a separate, grounded 120 V AC, 60 Hz electrical supply. The service should have its own 15 amp circuit breaker. A grounded 3-prong receptacle should be located within reach of the power cord.

The receptacle should be located in the upper left area of the rough opening. Refer to the illustration for your specific installation on the following pages. The receptacle may also be located in an adjacent cabinet within reach of the power cord. An access hole must be provided through the cabinet for the power cord. An access hole must be provided through the cabinet for the power cord.

IMPORTANT NOTE: The microwave oven is equipped with a power cord with a 3-prong grounding plug. The power cord must be plugged into a mating 3-prong grounded outlet. If you only have a 2-prong outlet, have a qualified electrician install a properly grounded outlet. If you have any questions about the grounding or electrical instructions, consult a qualified electrician or service technician.



Grounded electrical supply.

GROUNDING INSTRUCTIONS

This appliance must be grounded. The drawer microwave oven is equipped with a cord having a grounding wire with a grounding plug. It must be plugged into a wall receptacle that is properly installed and grounded in accordance with the National Electrical Code and local codes and ordinances. In the event of an electrical short circuit, grounding reduces risk of electric shock by providing an escape wire for the electric current.

⚠ WARNING

Improper use of the grounding plug can result in a risk of electric shock. Do not use an extension cord. If the power cord is too short, have a qualified electrician or service technician install an outlet near the appliance.

Installation Considerations

Wolf drawer microwave ovens can be installed in a standard or flush inset application. A flush inset installation requires the microwave to be recessed into the cabinet. Refer to the illustrations on the following pages for minimum cabinet dimensions for your specific installation.

The platform of the cabinet must be solid and level and able to support 125 lbs (57 kg).

In standard applications, the drawer microwave oven trim will overlap stiles and rails and will match the overlaps of E series ovens. Refer to the chart below for overlap dimensions.

COMBINATION INSTALLATIONS

The drawer microwave oven can be built into a cabinet by itself or in combination with a Wolf cooktop, built-in oven or warming drawer. Refer to the illustration on page 9 for a typical combination installation with an E series oven and warming drawer in a flush inset application.

| Trim Overlaps | | |
|-----------------------|-----------|------------|
| DRAWER MICROWAVE OVEN | 24" MODEL | 30" MODELS |
| Top Overlap | 3/8" (10) | 3/8" (10) |
| Bottom Overlap | 1/8" (3) | 1/8" (3) |
| Side Overlap | 7/8" (22) | 3/4" (19) |

Anti-Tip Blocking

INSTALL ANTI-TIP BLOCKING

To reduce the risk of tipping, the drawer microwave oven must be secured by properly installed anti-tip blocking. The anti-tip blocking must be provided by the installer. Dimensions will vary with the installation. When installed to the wall, make sure that screws completely penetrate the dry wall and are secured in wood or metal, so that the blocking is completely stable. When fastening, be sure that screws do not penetrate electrical wiring or plumbing. Refer to the illustration for your specific installation on the following pages.

The anti-tip blocking prevents serious injury that might result from the drawer tipping forward and hot food being spilled.

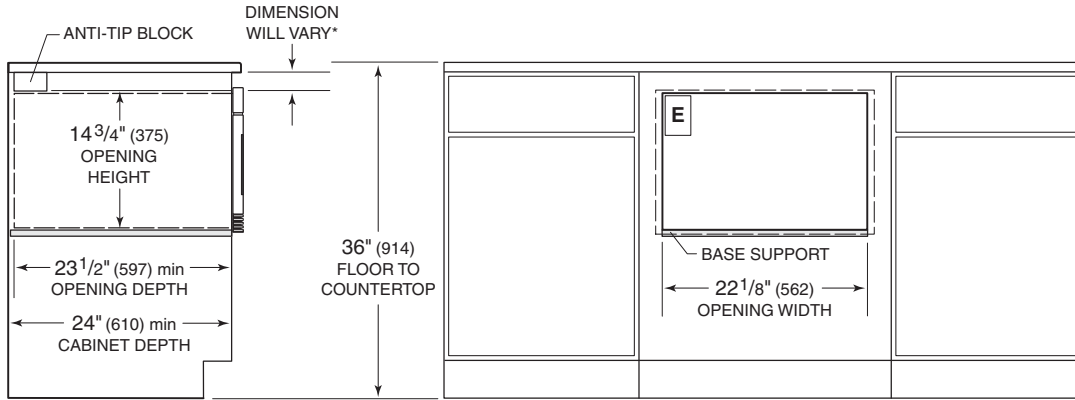
⚠ WARNING

Stepping, leaning or sitting on the drawer may result in serious injuries and can also cause damage to the drawer microwave oven.

Do not use the microwave oven as a storage space. This creates a potentially hazardous situation.

24" (610) Drawer Microwave Oven

STANDARD INSTALLATION



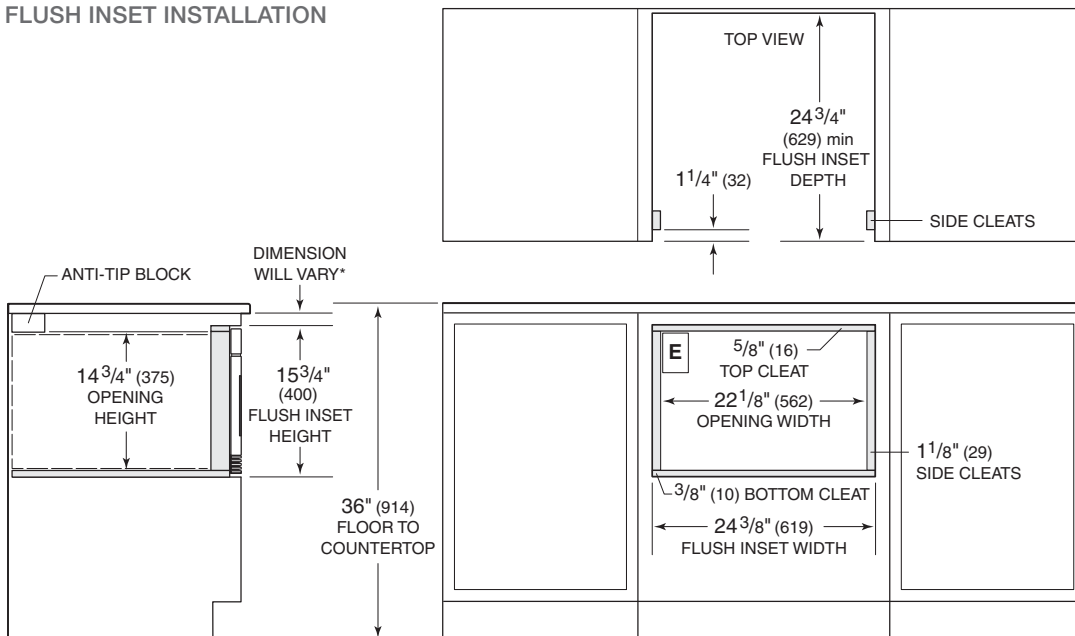
SIDE VIEW

FRONT VIEW

*Dimension must accommodate height of anti-tip block and drawer face overlap.

NOTE: Dashed line represents profile of unit.

FLUSH INSET INSTALLATION



SIDE VIEW

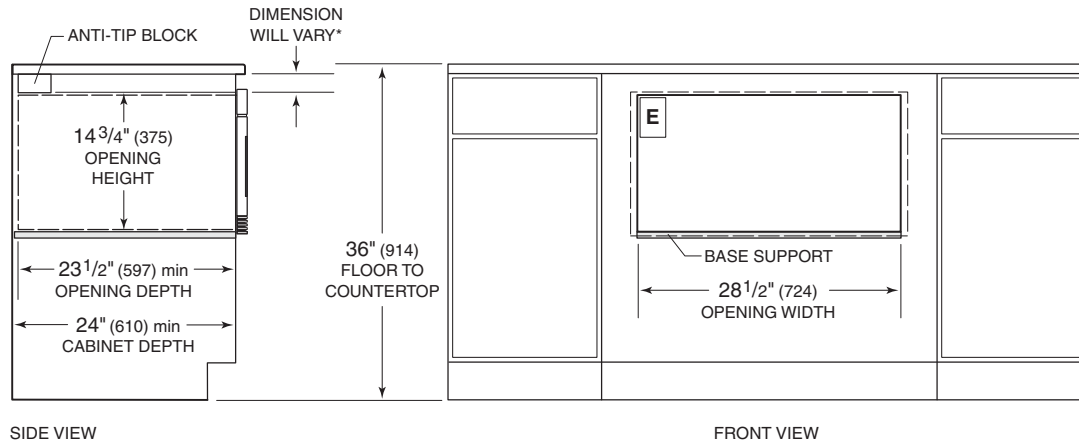
FRONT VIEW

*Dimension must accommodate height of anti-tip block and drawer face overlap.

NOTE: Dashed line represents profile of unit.

30" (762) Drawer Microwave Oven

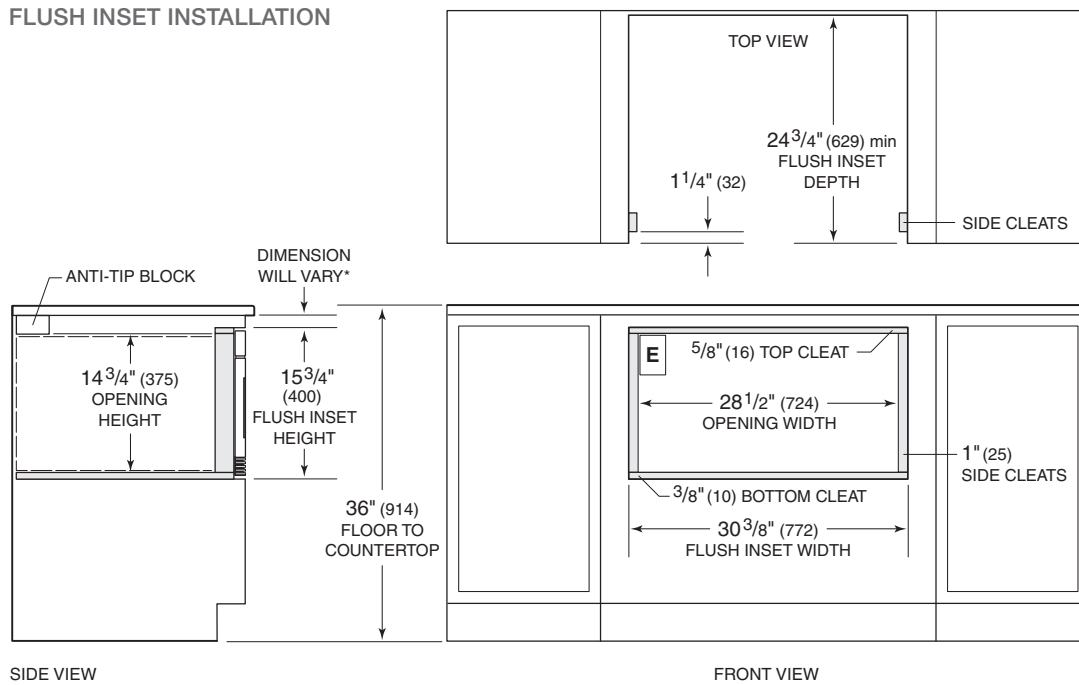
STANDARD INSTALLATION



*Dimension must accommodate height of anti-tip block and drawer face overlap.

NOTE: Dashed line represents profile of unit.

FLUSH INSET INSTALLATION

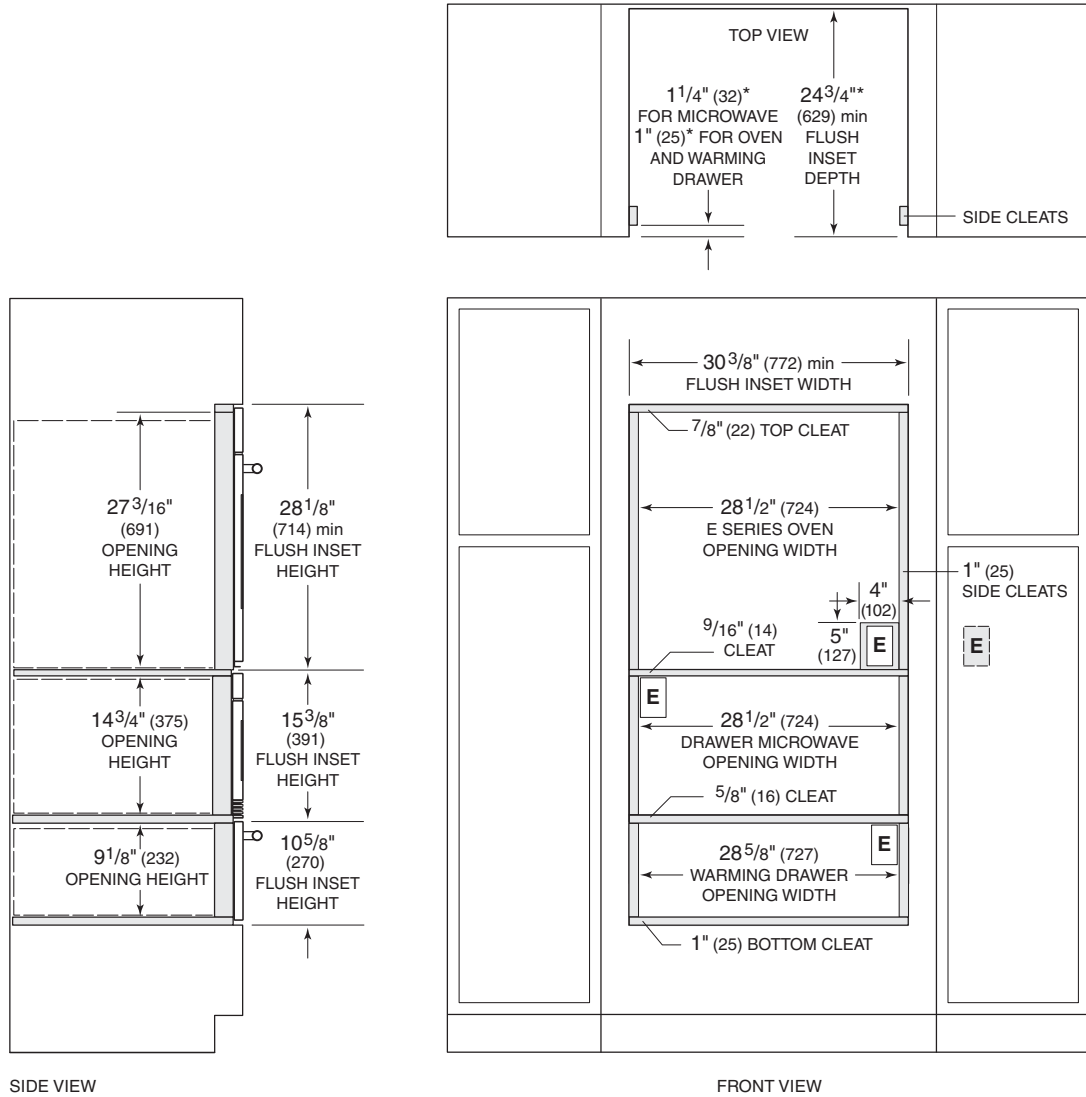


*Dimension must accommodate height of anti-tip block and drawer face overlap.

NOTE: Dashed line represents profile of unit.

30" (762) Drawer Microwave Oven

FLUSH INSET INSTALLATION WITH E SERIES OVEN AND WARMING DRAWER



*For black glass model, increase dimension by 1/4" (6).

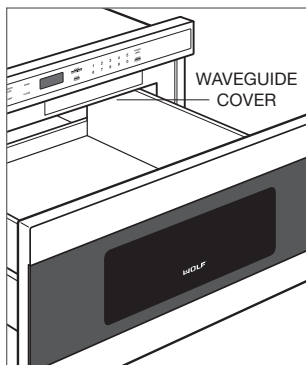
NOTES: Minimum base support for oven 250 lbs (113 kg).
 Location of electrical supply within oven opening may require additional cabinet depth.
 Cleats may be visible and should be finished to match cabinetry.
 Dashed line represents profile of unit.

Installation

UNPACK THE OVEN

Remove all packing materials from inside the drawer microwave oven. Do not remove the waveguide cover, which is located on the upper surface of the drawer interior. Refer to the illustration below.

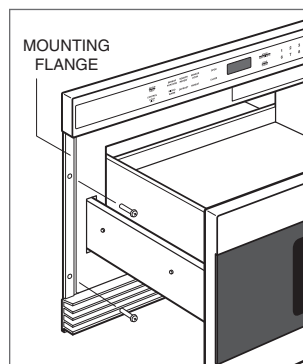
Remove the feature sticker, if applicable. Check the microwave oven for any signs of damage, such as dents, a misaligned or bent drawer, damaged drawer seals and sealing surfaces or broken or loose drawer guides. If any damage is found, contact your authorized Wolf dealer or a Wolf authorized service center. Do not operate the microwave oven.



Location of waveguide cover.

INSTALL THE OVEN

- 1) Turn power off to the electrical outlet.
- 2) Place the drawer microwave oven close to the prepared rough opening. Plug the power cord into the grounded electrical outlet.
- 3) Carefully guide the microwave oven into the opening. Avoid pinching the power cord between the unit and the cabinet wall.
- 4) Slide the microwave oven all the way into the opening until the mounting flange is flush with the face of the cabinet.
- 5) Open the drawer. Using the four holes on the mounting flange as a template (two on each side), pre-drill mounting holes into the cabinet using a 1/16" bit.
- 6) Mount the microwave oven with the four screws provided. Refer to the illustration below.
- 7) Turn power back on to the electrical outlet.



Mount the microwave oven.

Troubleshooting

IMPORTANT NOTE: If the drawer microwave oven does not operate properly, follow these troubleshooting steps:

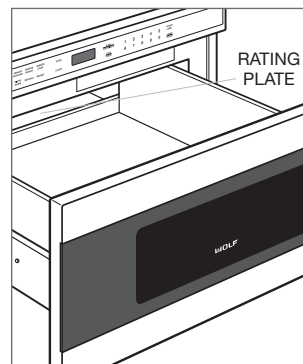
- Verify that electrical power is being supplied to the microwave oven.
- Check electrical connections to ensure that the installation has been completed correctly.
- Refer to the troubleshooting guide in the Wolf drawer microwave ovens use & care guide.
- If the drawer microwave oven still does not operate properly, contact Wolf factory certified service. Do not attempt to repair the microwave oven yourself. Wolf is not responsible for service required to correct a faulty installation.

Service Information

If service is necessary, maintain the quality built into your drawer microwave oven by contacting Wolf factory certified service.

For the name and number of Wolf factory certified service nearest you, check the contact & support section of our website, wolfappliance.com or call Wolf customer care at 800-222-7820.

When calling for service, you will need the model and serial numbers of the drawer microwave oven. Both numbers are listed on the product rating plate, located on the bottom of the oven cavity. The drawer must be in the open position to view the rating plate. Refer to the illustration below.



Location of rating plate.



The information and images in this guide are the copyright property of Wolf Appliance, Inc. Neither this guide nor any information or images contained herein may be copied or used in whole or in part without the express written permission of Wolf Appliance, Inc. ©Wolf Appliance, Inc. all rights reserved.

Wolf, Wolf & Design, Wolf Gourmet, W & Design and the color red as applied to knobs are registered trademarks and service marks of Wolf Appliance, Inc. Sub-Zero, Sub-Zero & Design, Dual Refrigeration, Constant Care and The Living Kitchen are registered trademarks and service marks of Sub-Zero, Inc. (collectively, the "Company Marks.") All other trademarks or registered trademarks are property of their respective owners in the United States and other countries.



WOLF APPLIANCE, INC. P. O. BOX 44848 MADISON, WI 53744 WOLFAPPLIANCE.COM 800.222.7820

819363 REV-B TINSEB509MRR2 1/2012

