

USE & CARE GUIDE

Model 315W Wine Storage



Contents

Model 315W Wine Storage	3
Model 315W Wine Storage Features	4
Model 315W Wine Storage Operation	5
Model 315W Wine Storage Care	7
Troubleshooting Guide	9
Service Information	10
Sub-Zero Warranty	11

Features and specifications are subject to change at any time without notice. Visit our website, subzero.com for the most up-to-date information.

Important Note

To ensure the safe and efficient use of Sub-Zero equipment, please take note of the following types of highlighted information throughout this guide:

IMPORTANT NOTE highlights information that is especially important.

CAUTION signals a situation where minor injury or product damage may occur if instructions are not followed.

WARNING states a hazard that may cause serious injury or death if precautions are not followed.



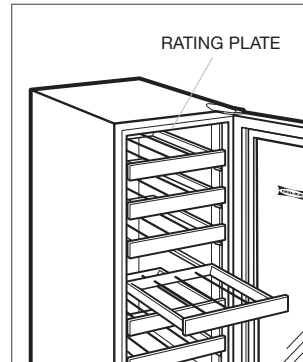
Thank You

Thank you for purchasing your new Sub-Zero wine storage unit. With Sub-Zero, you can rely on a 60-year tradition of quality and reliability.

Your Sub-Zero wine storage unit is protected by a warranty that is one of the finest in the industry. Take a moment to read the warranty statement at the end of this guide and refer to it should service become necessary.

This use & care guide will answer most of your questions about the features, operation and maintenance of your wine storage unit. If you have questions that are not addressed here, call Sub-Zero customer care at 800-222-7820 or visit our website, subzero.com.

If service should become necessary, you will need the model and serial numbers of the wine storage unit. Both numbers are listed on the product rating plate, located on the underside of the top wall. Refer to the illustration.



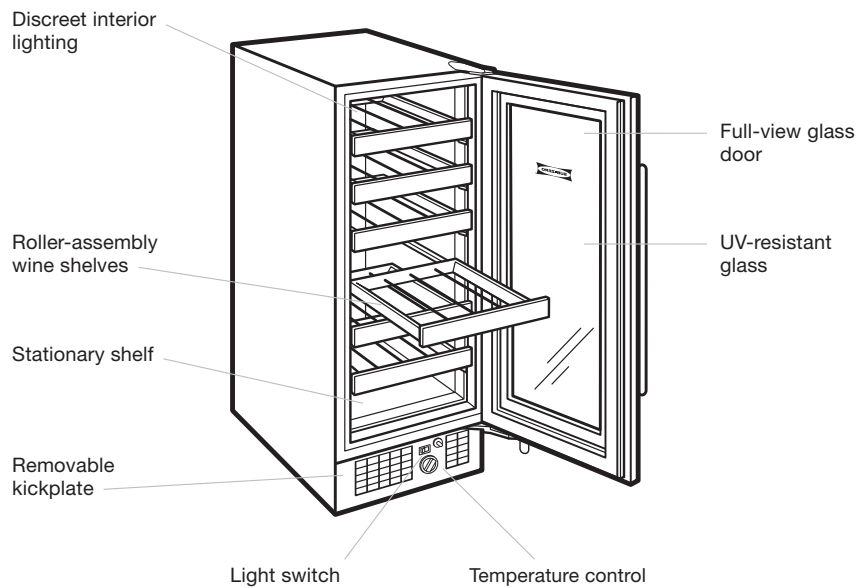
Location of rating plate.

Model 315W Features

- Overlay and stainless steel design options.
- Maintains ideal storing and serving temperature for all wines, humidity and UV protection.
- Single temperature zone with range from 45°F (7°C) to 55°F (13°C).
- Full-view, UV-resistant, high altitude glass door.
- Easy-access temperature control.
- Discreet interior lighting.
- Wine shelves accommodate up to 26 (750 ml) bottles.
- Roller-assembly wine shelves with natural cherrywood facing have three-quarter extension for easy access.
- UL approved for US and Canada.
- Two, five and twelve year residential warranty—exclusions apply, see warranty at the end of this guide.

Model 315W

UNDERCOUNTER WINE STORAGE



Model 315W Controls

Your model 315W is extremely simple to use, just turn the control knob to the ON position. The wine storage unit will automatically begin to cool and will continue to do so until the set temperature is reached.

The model 315W operates on this principal; the unit will run to achieve the set temperature. Run time will vary based upon the amount of usage, room temperature and amount of wine added.

TEMPERATURE CONTROL

Rotate the temperature control knob until the desired temperature is achieved. Turn the knob clockwise to make the unit colder. Refer to the illustration. Interior cabinet temperatures may be slightly warmer at the top or front of unit and cooler at the bottom and back.

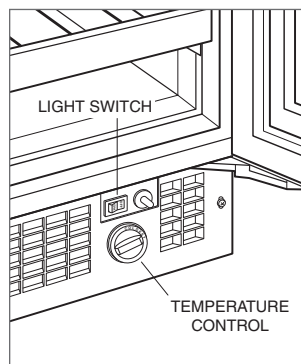
IMPORTANT NOTE: The wine storage unit will not cool down immediately upon initial start-up. Allow approximately 24 hours for unit to reach desired temperature.

When fully loaded with room temperature wine, the wine storage unit will operate continuously for as long as 24 hours to reach the desired temperature. After reaching the set temperature, the unit will begin to cycle on and off.

IMPORTANT NOTE: A fully-loaded wine storage unit will run less than a unit which is partially full.

LIGHT SWITCH

The interior lighting automatically switches on when the door is opened. To illuminate the interior when the door is closed, move the light switch to the ON position. Refer to the illustration below.



Controls.

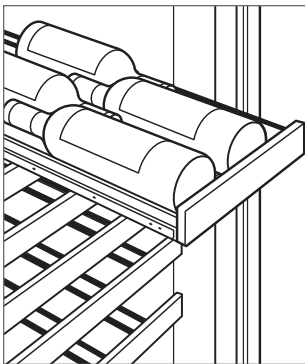
Wine Storage Shelves

Model 315W has roller-assembly shelves with a full three-quarter extension for easy access to all stored bottles. Each wine shelf holds four (750 ml) bottles. An additional two bottles may be placed on the bottom stationary shelf for a total capacity of 26 bottles. Refer to the illustration below.

IMPORTANT NOTE: Never keep anything other than wine bottles on the wine shelves; smaller beverage bottles are unstable and may easily fall out and break.

The shelves have a solid natural cherrywood facing that can be replaced with other wood to match your cabinetry. Details on how to replace the shelves' wood facing can be found in the Sub-Zero design guide. Check our website at subzero.com.

IMPORTANT NOTE: If you choose to stain or seal the shelves' natural cherrywood facing, be aware that some of these substances are hazardous and will damage wine.



Wine storage shelves.

WINE STORAGE SHELF REMOVAL

To remove a wine storage shelf, pull the shelf out to its full extension, gently and evenly lift up on both sides of the front of the shelf and remove. Reverse the procedure to reinstall the shelf.

IMPORTANT NOTE: Wine storage shelf removal will be more difficult if the door cannot open to a minimum of 120°, as in a corner application.

⚠ CAUTION

Be sure to unload all bottles from the wine storage shelf before removing it.

Interior Lighting

LIGHT BULB REPLACEMENT

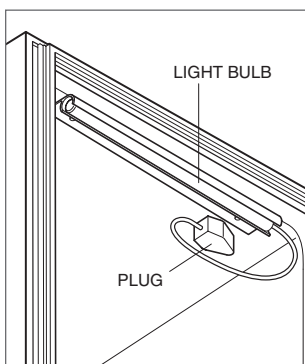
Interior lighting for model 315W is located in the top of the cabinet. The light bulb has an extended life and it should be some time before it needs to be replaced.

Replacement bulbs are available from Sub-Zero factory certified service. For the name of the factory certified service nearest you, check the contact & support section of our website, subzero.com or call Sub-Zero customer care at 800-222-7820.

To replace the light bulb, shut off power to the unit. Remove the top wine storage shelf. Pull the plug from the socket in the top of the unit as shown in the illustration below. Remove the bulb from its holder and install the new bulb.

⚠ WARNING

Shut off power to the unit before replacing the light bulb. Wear protective gloves when handling the bulb.



Light bulb replacement.

Cleaning

STAINLESS STEEL EXTERIOR

To clean the stainless steel exterior of the model 315W/S, use a soft, nonabrasive stainless steel cleaner like Signature Polish and apply with a soft lint-free cloth.

Signature polish is available from Signature Limited Laboratory, P. O. Box 13436, Dayton, Ohio 45413, or call 877-376-5474.

To bring out the natural luster of the stainless steel, lightly wipe the surface with a water-dampened microfiber cloth followed by a dry polishing chamois. All work should follow the grain direction of the finish. Better results are obtained by keeping the cloth in continuous contact with the stainless steel.

INTERIOR SURFACES

To clean interior surfaces and removable parts, wash with a mild solution of soap and lukewarm water with a little baking soda. Do not use vinegar. Rinse and dry thoroughly. Avoid getting water on lights, controls and the solid cherrywood facing on the shelves.

Do not use abrasive cleaners or cloths on any interior or exterior surfaces, including the glass door panel.

GLASS DOOR

The glass door panel can be cleaned using any standard glass cleaner available on the market today.

⚠ CAUTION

Before cleaning the unit, shut off power to the unit by turning the control knob to OFF.

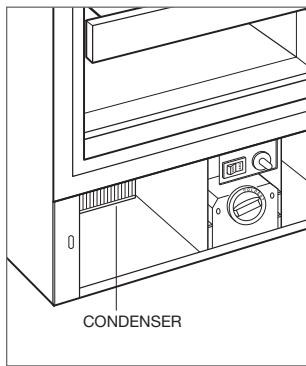
Cleaning

CONDENSER CLEANING

Clean the condenser area every three to six months. The cleaning schedule will depend on the amount of dust and lint that accumulates in this area.

To access the condenser area, use a Phillips screwdriver to remove the kickplate. Refer to the illustration below for location of the condenser. Using a soft bristle brush, vacuum to remove dust and lint from the condenser area.

IMPORTANT NOTE: To avoid bending the condenser fins, be sure to vacuum in the direction of the fins (up and down).



Location of condenser.

⚠ CAUTION

Before cleaning the condenser, shut off power to the unit by turning the control knob to OFF. When you clean the condenser, wear gloves to avoid injury from the sharp condenser fins.

⚠ CAUTION

Failure to clean the condenser could result in temperature loss or mechanical failure or damage.

Troubleshooting

If your wine storage unit is not operating properly, use the following troubleshooting guide before contacting Sub-Zero factory certified service. This guide will save you time and trouble and may help you avoid the expense of a service call.

The wine storage unit is not operating.

- Check that control knob is ON, refer to page 5.
- Check the household fuse or circuit breaker to see if it has been blown or tripped. A power outage may also have caused a disruption in service.

Interior temperature has changed.

- Check temperature control setting to see if it has been changed.

Unit not cooling properly.

- Condenser area needs cleaning, refer to page 8.
- Fan motor not operating properly. Contact Sub-Zero factory certified service.
- Compressor not operating. Contact Sub-Zero factory certified service.

Excessive operating time.

- Condenser area needs cleaning, refer to page 8.
- Unit filled with warm wine. Unit must operate for up to 24 hours to cool warm wine.
- Check door gasket for proper seal.
- Thick frost on evaporator. Shut unit off until frost melts.
- Unit in warm room conditions. Sunlight or high room temperatures will increase operating time.

Thick frost on evaporator.

- Check door gasket for proper seal.
- Door not closing. Check door for obstructions.
- Thermostat not keeping unit off long enough. Contact Sub-Zero factory certified service.
- Excessive operating time. Check for cause.

Interior lighting does not work properly.

- Light bulb burned out. Replace light bulb, refer to page 7.
- Check that door closes properly to depress light switch.
- Cannot switch light on with door closed. Check rocker switch.

Excessive noise.

- Some fan noise during operation is normal.

Water leaking inside or under unit.

- Drain trough hose plugged or out of position. Contact Sub-Zero factory certified service.
- Drain pan over filling. Check door or door gasket.

Service Information

If you do need service, be sure to have the model and serial number of your unit when you call. The numbers are listed on the product rating plate. Refer to the illustration on page 3 for location of the rating plate.

For warranty purposes, you will also need the date of installation and the name of your authorized Sub-Zero dealer. Record this information below for future reference.

Model Number _____

Serial Number _____

Installation Date _____

Sub-Zero Factory Certified Service

Phone _____

Authorized Sub-Zero Dealer

Phone _____

BEFORE CALLING FOR SERVICE

Before calling Sub-Zero factory certified service, refer to the troubleshooting guide on the previous page.

PRODUCT REGISTRATION

Register your new Sub-Zero today so that we may ensure your satisfaction. You may register by one of the following options:

- 1) Mail in the completed Sub-Zero product registration card.
- 2) Register online at subzero.com.
- 3) Register by phone by calling Sub-Zero customer care at **800-222-7820**.

The model and serial number of your unit are printed on the enclosed Sub-Zero product registration card. If you provide us with your e-mail address, we will send you exciting new product updates and recipes as they become available, along with information on special events.

The information and images in this guide are the copyright property of Sub-Zero, Inc. Neither this guide nor any information or images contained herein may be copied or used in whole or in part without the express written permission of Sub-Zero, Inc. ©Sub-Zero, Inc. all rights reserved.

Wolf, Wolf & Design, Wolf Gourmet, W & Design and the color red as applied to knobs are registered trademarks and service marks of Wolf Appliance, Inc. Sub-Zero, Sub-Zero & Design, Dual Refrigeration, Constant Care and The Living Kitchen are registered trademarks and service marks of Sub-Zero, Inc. (collectively, the "Company Marks.") All other trademarks or registered trademarks are property of their respective owners in the United States and other countries.

Sub-Zero Products Limited Warranty

FOR RESIDENTIAL USE ONLY

FULL TWO YEAR WARRANTY*

For two years from the date of original installation, your Sub-Zero product warranty covers all parts and labor to repair or replace, under normal residential use, any part of the product that proves to be defective in materials or workmanship. All service provided by Sub-Zero under the above warranty must be performed by Sub-Zero factory certified service, unless otherwise specified by Sub-Zero, Inc. Service will be provided during normal business hours.

FULL FIVE YEAR SEALED SYSTEM WARRANTY

For five years from the date of original installation, your Sub-Zero product warranty covers all parts and labor to repair or replace, under normal residential use, the compressor, condenser, evaporator, drier and all connecting tubing that prove to be defective in materials or workmanship. All service provided by Sub-Zero under the above warranty must be performed by Sub-Zero factory certified service, unless otherwise specified by Sub-Zero, Inc. Service will be provided during normal business hours.

LIMITED TWELVE YEAR SEALED SYSTEM WARRANTY

For twelve years from the date of original installation, your Sub-Zero product warranty covers all parts to repair or replace, under normal residential use, the compressor, condenser, evaporator, drier and all connecting tubing that prove to be defective in materials or workmanship.

TERMS APPLICABLE TO EACH WARRANTY

The warranty applies only to products installed for normal residential use. The warranty applies only to products installed in any one of the fifty states of the United States, the District of Columbia or the ten provinces of Canada. This warranty does not cover any parts or labor to correct any defect caused by negligence, accident or improper use, maintenance, installation, service or repair.

THE REMEDIES DESCRIBED ABOVE FOR EACH WARRANTY ARE THE ONLY ONES THAT SUB-ZERO, INC. WILL PROVIDE, EITHER UNDER THIS WARRANTY OR UNDER ANY WARRANTY ARISING BY OPERATION OF LAW. SUB-ZERO, INC. WILL NOT BE RESPONSIBLE FOR ANY CONSEQUENTIAL OR INCIDENTAL DAMAGES ARISING FROM THE BREACH OF THIS WARRANTY OR ANY OTHER WARRANTY, WHETHER EXPRESS, IMPLIED OR STATUTORY.

Some states do not allow the exclusion or limitation of incidental or consequential damages, so the above limitation or exclusion may not apply to you. This warranty gives you specific legal rights and you may also have other legal rights that vary from state to state.

To receive parts and/or service and the name of Sub-Zero factory certified service nearest you, contact Sub-Zero, Inc., P.O. Box 44848, Madison, WI 53744; check the contact & support section of our website, subzero.com or call 800-222-7820.

*Stainless steel doors, panels, handles, product frames and interior surfaces are covered by a limited 60-day parts and labor warranty for cosmetic defects.

*Replacement water filters and air purification cartridges are not covered by the product warranty.





SUB-ZERO, INC. P. O. BOX 44848 MADISON, WI 53744 SUBZERO.COM 800.222.7820

7012206 REV-A

3/2011

